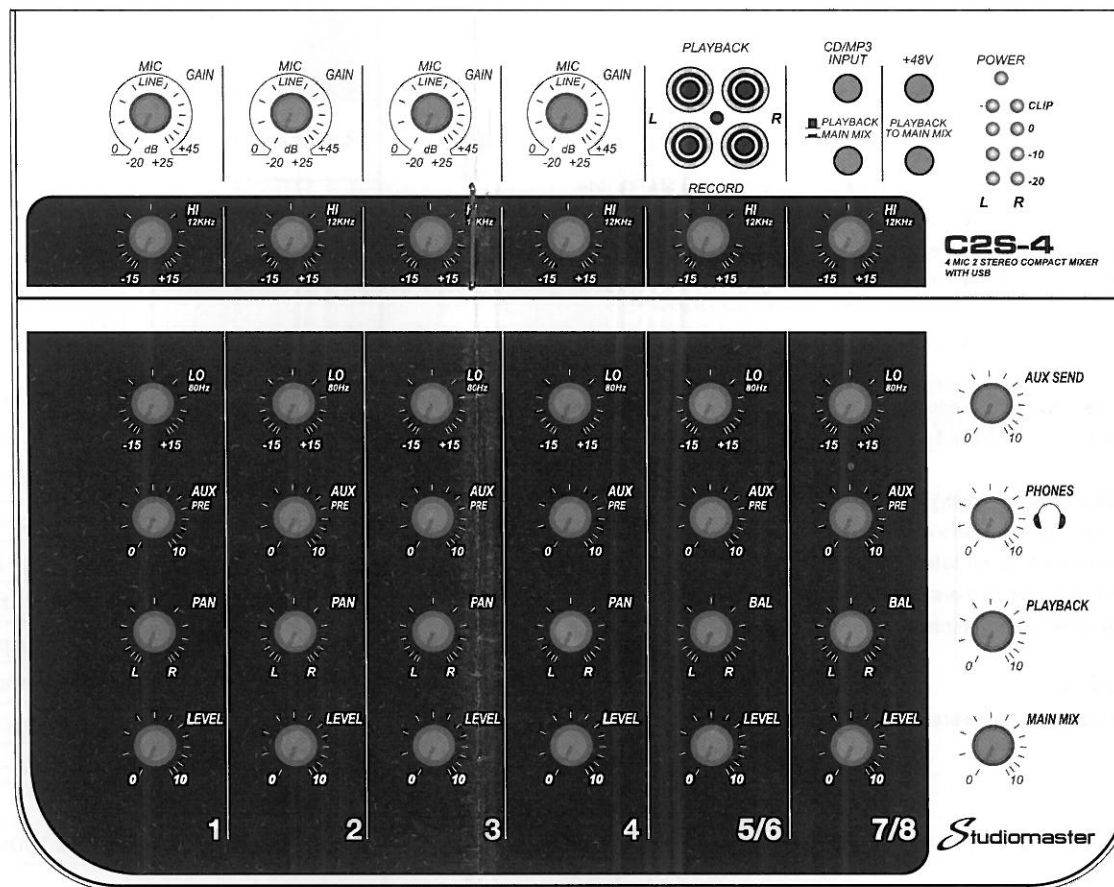


EXPECT THE BEST

Studiomaster



Studiomaster

Studioking Limited
Unit 1 Youngs Industrial Estate, Stanbridge Road
Leighton Buzzard, Bedfordshire LU7 4QB UK
Tel : +44 (0)1525 217111 Fax : +44 (0)1525 378466
email : enquiries@studiomaster.com

www.studiomaster.com

In Accordance with our progressive product development, Studiomaster / Studioking Limited reserve the right to change features and specifications without prior notice.

C2 ENG V1

USER MANUAL
C2-2/C2S-2/C2-4/C2S-4
MIXING CONSOLE

1. INTRODUCTION

Thank you for buying this Studiomaster product. The C2 range are a compact, extremely versatile audio mixers designed specifically for the requirements of live sound and basic recording.

READ THE USER GUIDE

Despite the sophisticated design the C2 range they are easy to use mixers although to get the best from your new purchase, we recommend you read this User Guide before getting down to any serious work.

UNPACKING

Remove your Studiomaster product from its packaging and ensure that along with this User Guide you have an A.C. power cord / mains lead and a warranty card. Retain the packing carton in the eventuality that the unit needs to be returned for service or repair, and please complete and return your warranty card. Returning the completed warranty card does not diminish your statutory rights in any way.

Safety Instructions

- a. Before connecting the A.C. power cord make sure the product is suitable for your local A.C. Supply.
- b. Only use the power supply adapter supplied with the product. Replace if it becomes damaged in any way.
- c. Never operate without, or remove the safety ground (earth) from the A.C. power cord / mains lead.
- d. Do not attempt to remove any screws or panels. There are no user serviceable parts inside.
- e. Do not operate the unit next to heat sources such as radiators.
- f. The unit should not be operated or stored near rain or moisture.
- g. This equipment must not be exposed to dripping or splashing and no objects filled with liquids should be placed on top of it.
- h. Make a note of the serial number for future use.
- i. If the product gets damaged, has been dropped or appears to have developed a fault refer to a qualified Studiomaster service centre.

2: Function Introduction

2 channel mini mixing console (C2-2), 4 channel mini mixing console (C2-4)
2/4mic/line input, 48V phantom power, for use with condenser microphone.

2 channel stereo line input

3.5mm mini Jack CD input

2 band EQ, +/- 15dB EQ at 80 Hz & 12KHz

Main output control (L/R)

Headphone output control

RCA input/output

1 way Aux output

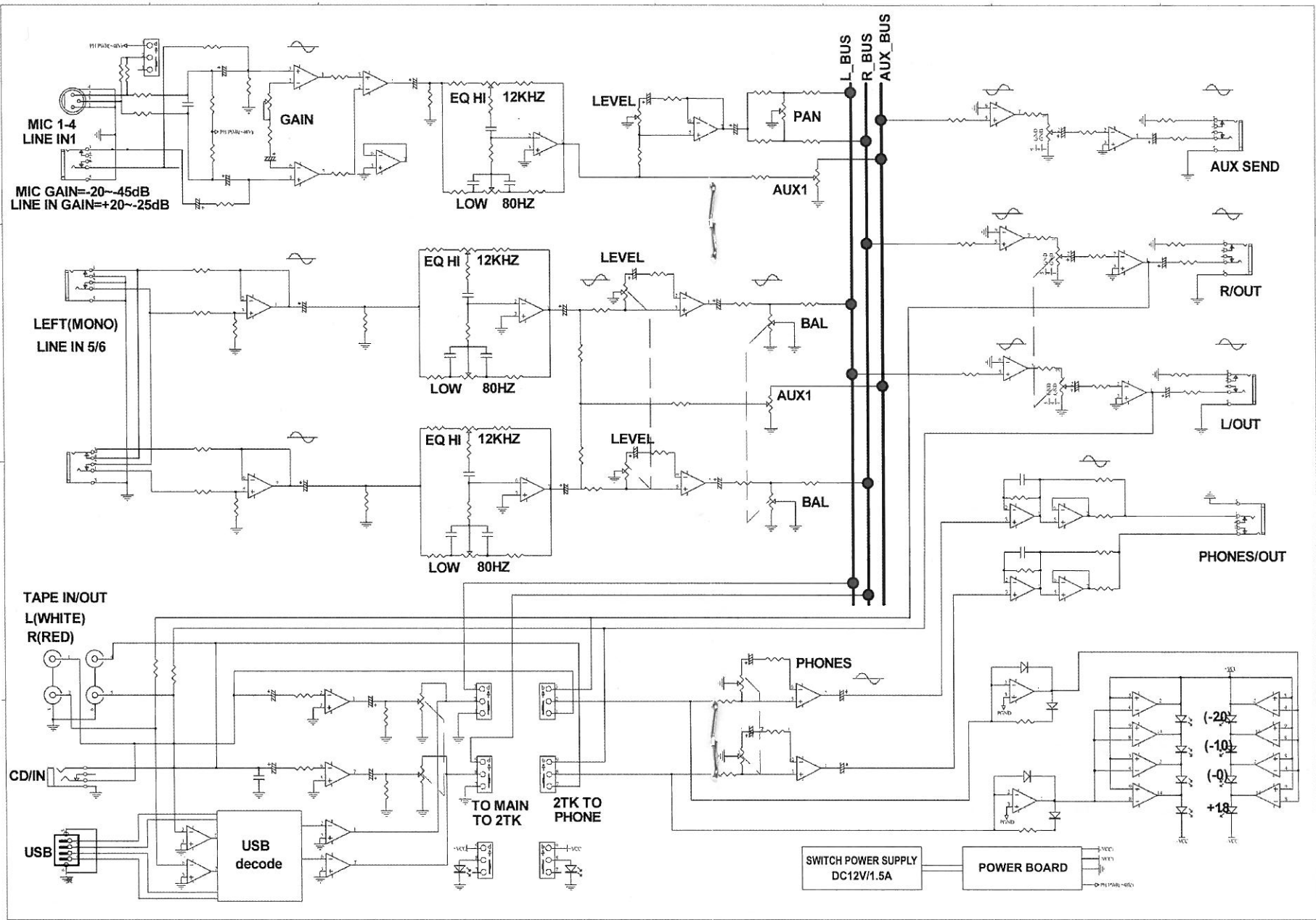
4 band LED level indicator

Compact structure, which can be used in different locations

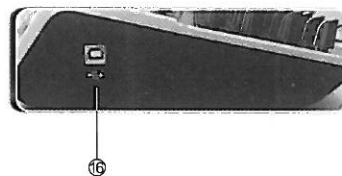
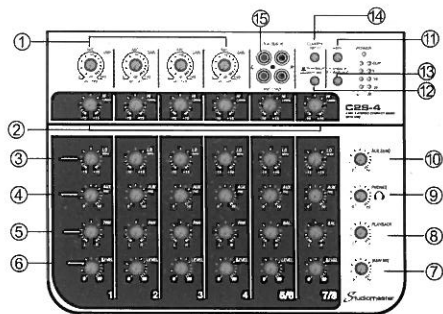
Be convenient for operating

External supply power (100-265V 50/60Hz), which can be used in any countries

USB recording/ playing function (C2S-2/C2S-4)



C2-2/C2S-2/C2-4/C2S-4



- 1) Mic gain control 0-45dB
- 2) HI 12KHz, boost/cut ± 15 dB
- 3) Low 80Hz, boost/cut ± 15 dB
- 4) AUX output, volume channel control
- 5) Speaker control L/R
- 6) Channel volume control
- 7) Master volume control
- 8) Playback input volume control
- 9) Headphone monitoring volume control
- 10) Aux output volume control
- 11) +48 phantom power to MIC input switch: for use with condenser microphones
- 12) Playback signal to main output
- 13) LED meter, visual signal monitoring
- 14) CD/MP3 stereo 3.5mm mini jack input
- 15) Record and playback RCA inputs for recording
- 16) USB connects to computer and playback of signals(S models only)

Note: connect only balanced microphones when using +48V phantom power

3: SPECIFICATION

Model	C2-2/C2S-2/C2-4/C2S-4	
Testing program	Testing condition	Testing data
Frequency response	+0,-1dB	20Hzto20kHz
THD	@+10dBu	< 0.008%
Residual noise	Main output	- 103dB
	Aux output	- 90dB
Gain scope	Mic input	-20dBto+45dB
	Line input	-20dBto+25dB
Phantom power	+48VDC	
EQ	HI:	± 15 dB@12kHz
	LOW:	± 15 dB@80Hz
Max output	Main/Aux output	+21dBu
	headphone output	+18dBu
Input impedance	Mic input	2.3k Ω bal
	Line input	20k Ω bal
	CD/RCA input	24k Ω unbal
Output impedance	Main/ Aux output	120
	RCA output	1k
	Headphone output	25
LED level indicator	(Clip), 0 , -10, -20,	
Supply power	AC100V----- 240V (50/60Hz)DC12V power adapter	
Consumption power	11W	
Dimension(mm)	220x160x68mm	220x210x68mm
Net weight	0.78Kg	0.98Kg